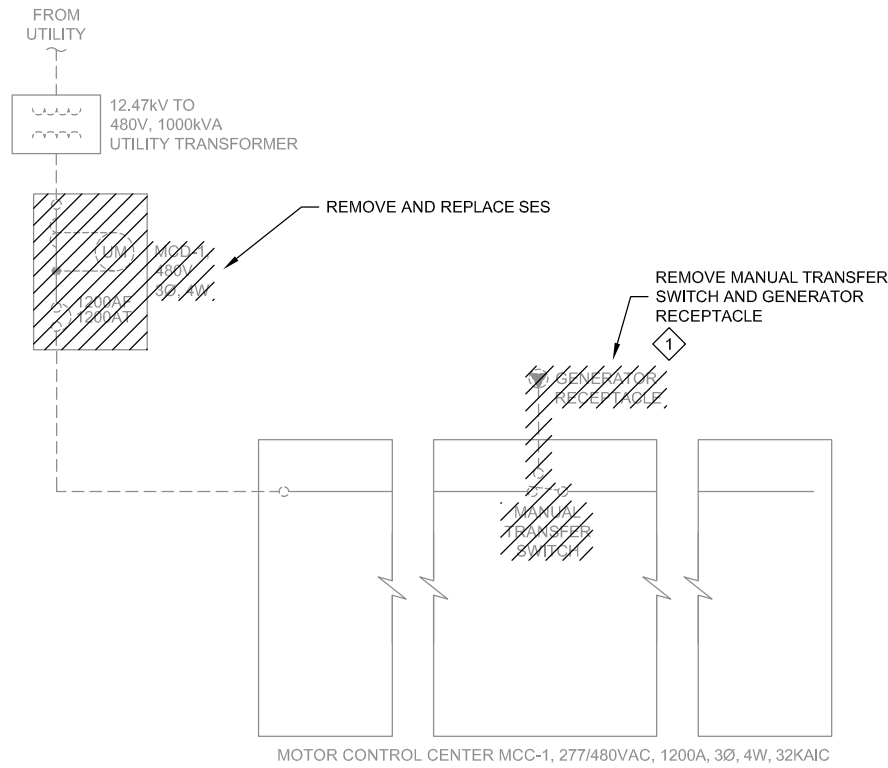
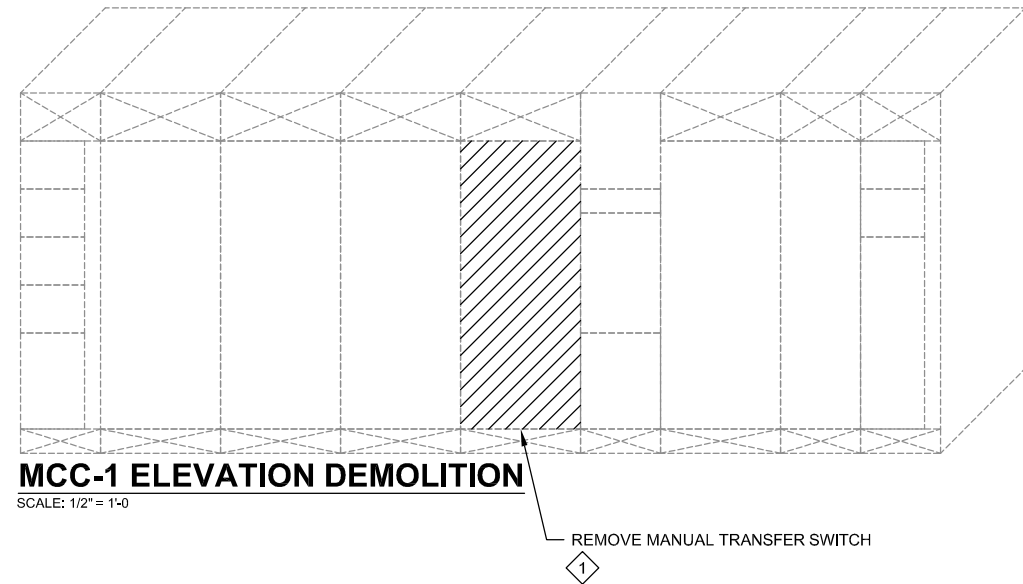


4/8/2024 C:\USERS\DMIELL\LEAVITT\DCACCS\AQUA\ENGINEERING\002378.C MRWSSD OLD RANCH BS\PROJECT FILES\989 ELECTRICAL\985-E501 ONELINE DIAGRAM.DWG



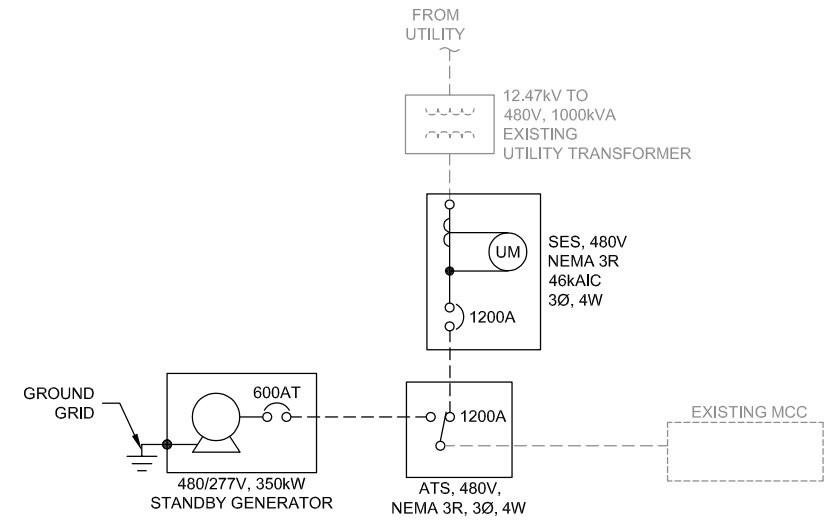
DEMOLITION ONELINE DIAGRAM



MCC-1 ELEVATION DEMOLITION

SCALE: 1/2" = 1'-0"

REMOVE MANUAL TRANSFER SWITCH



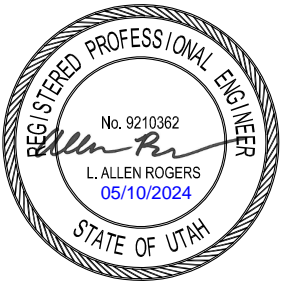
ONELINE DIAGRAM

CONDUIT	SIZE	CONDUCTORS	SERVICE	FROM	TO	DUCTBANKS	NOTES
P101	4 X 3"	3 500 KCMIL, 4/0 AWG NEUT, 3/0 GND	480V	UTIL XFMR	SES		
P101A	4 X 3"	3 500 KCMIL, 4/0 AWG NEUT, 3/0 GND	480V	SES	ATS		
P101B	4 X 3"	3 500 KCMIL, 4/0 AWG NEUT, 3/0 GND	480V	GEN	ATS		2 SPARES FOR FUTURE UPGRADE, PULL THROUGH PB1
P102	4 X 3"	3 500 KCMIL, 4/0 AWG NEUT, 3/0 GND	480V	ATS	MCC-1		
P136	1"	4 #12 W #12 GND	120V	PANEL "L"	GENERATOR		BAT CHARGER & BLOCK HEATER
C137	1"	6 #14	24VDC	SURGE CONTROL PANEL	SURGE TANK LEVEL CONTROL		
C137A	1"	6 #12 W #12 GND	120V	SURGE CONTROL PANEL	SURGE COMPRESSOR		
C217	3/4"	4 #14 W #14 GND	120V	FLOW CONTROL VALVE	JB2		ROUTE TO PLC
C246	1"	6 #14 W #14 GND	120V	ATS	PLC		
C247	1"	4 #14 W #14 GND	120V	ATS	GENERATOR		
S137	1"	TSP	SIGNAL	PLC	SURGE TANK LEVEL		
S217	1"	TSP	SIGNAL	PLC	FLOW CONTROL VALVE		
S218	1"	2X TSP	SIGNAL	PLC	N2 TANK LEVEL & PRESS		

CONDUIT SCHEDULE

KEY NOTES

- 1 REMOVE MANUAL TRANSFER SWITCH FROM MCC AND RECONNECT MCC.



DRAWING IS TO SCALE
IF BAR MEASURES:
1" = FULL SCALE
1/2" = HALF SCALE

ORIGINAL	DESIGN	DRAWN	CHECKED
	LAR	DCL	LAR
REVISIONS			
NO.	DATE	BY	DESCRIPTION
C	03/14/2024	C	

MOUNTAIN REGIONAL WATER SPECIAL SERVICE DISTRICT

OLD RANCH BOOSTER STATION
ELECTRICAL - POWER DISTRIBUTION
ONELINE DIAGRAM

skm 533 W 2600 S, Suite 25
Bountiful, Utah 84010
Phone: (801) 677-0011
www.skmeng.com



533 W 2600 S, SUITE 275, BOUNTIFUL, UT 84010
PHONE (801) 299-1327 FAX (801) 299-0153

DRAWING NO.

E501

SHEET